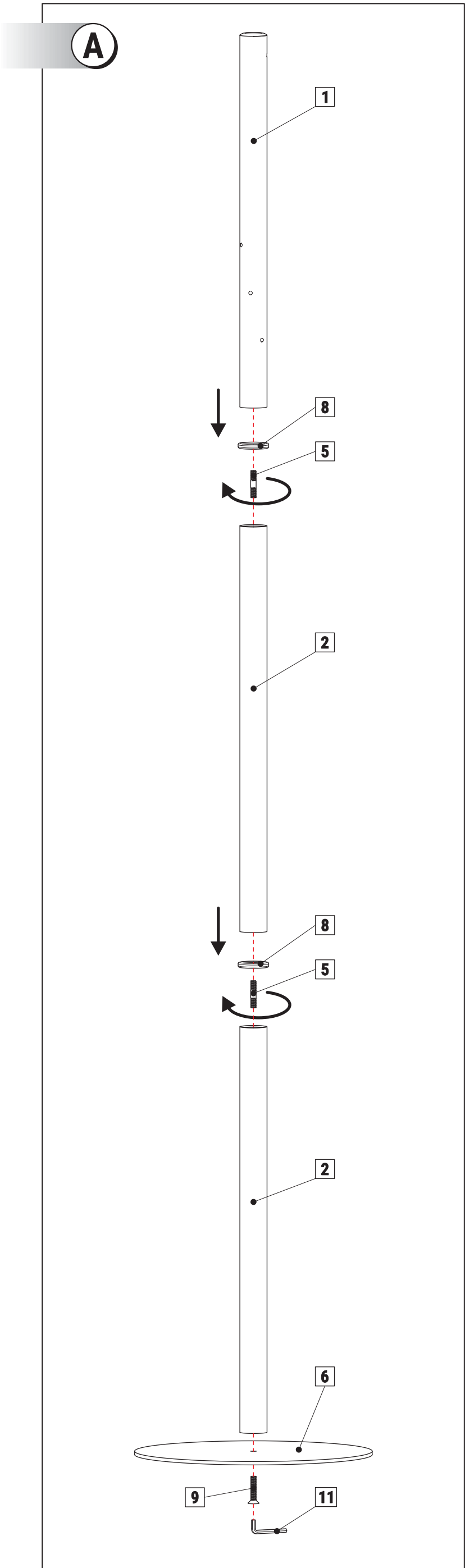
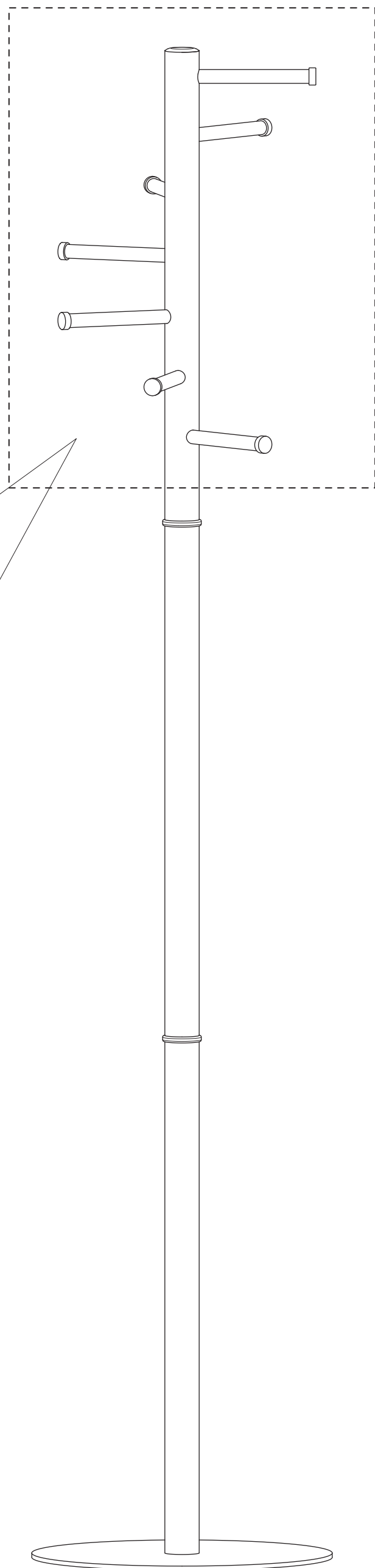
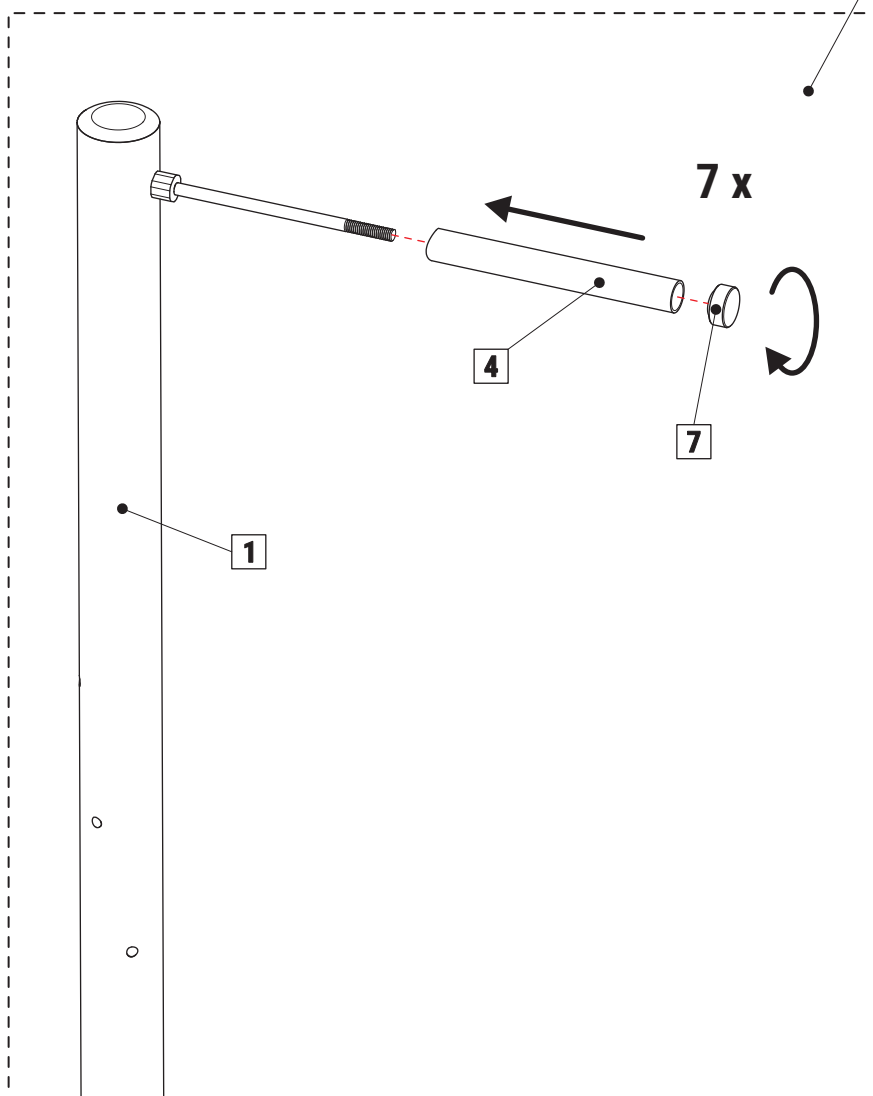
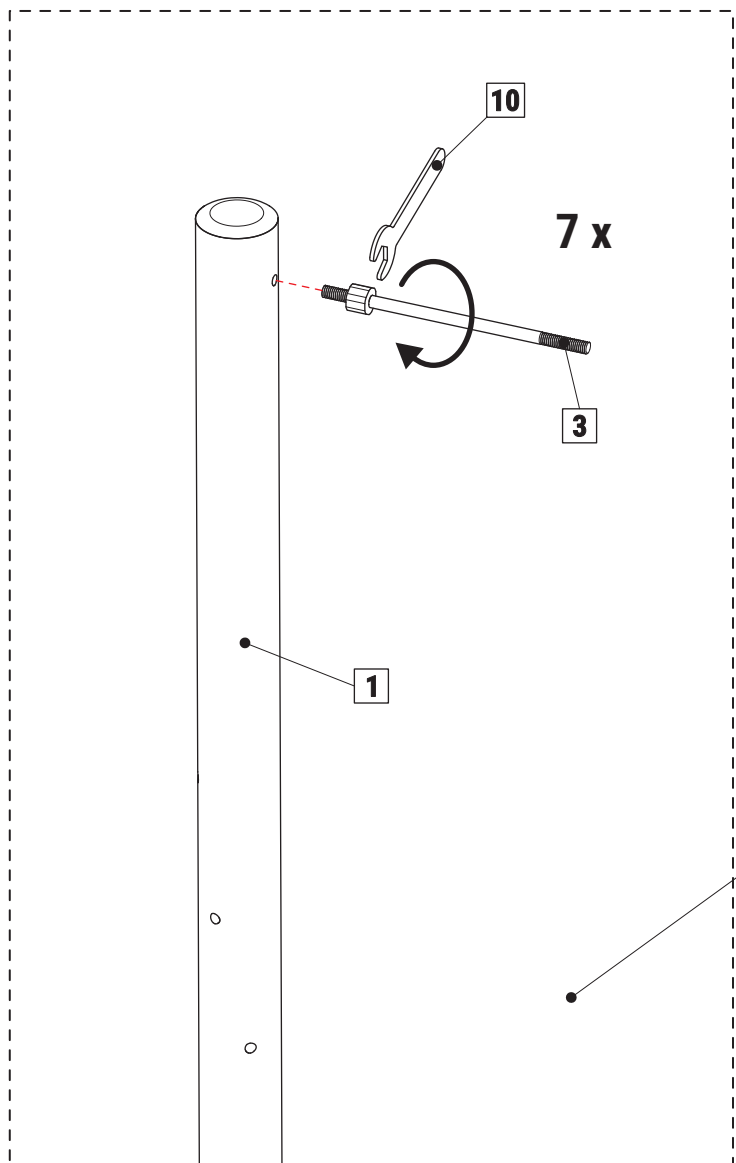


|                                  |                                 |                                    |
|----------------------------------|---------------------------------|------------------------------------|
| <p><b>1</b></p> <p>1 x</p>       | <p><b>2</b></p> <p>2 x</p>      | <p><b>3</b></p> <p>7 x</p>         |
|                                  |                                 | <p><b>4</b></p> <p>7 x</p>         |
|                                  |                                 | <p><b>5</b></p> <p>2 x</p>         |
| <p><b>6</b></p> <p>1 x</p>       |                                 |                                    |
| <p><b>7</b></p> <p>7 x</p>       | <p><b>8</b></p> <p>2 x</p>      | <p><b>9</b></p> <p>1 x M8 x 40</p> |
| <p><b>10</b></p> <p>1 x SW13</p> | <p><b>11</b></p> <p>1 x SW5</p> |                                    |



**B**



Notice de conditionnement et d'élimination  
Istruzioni di imballaggio e smaltimento  
Опаковка и указание за изхвърляне



Garantiehinweis  
Guarantee  
Garantie

